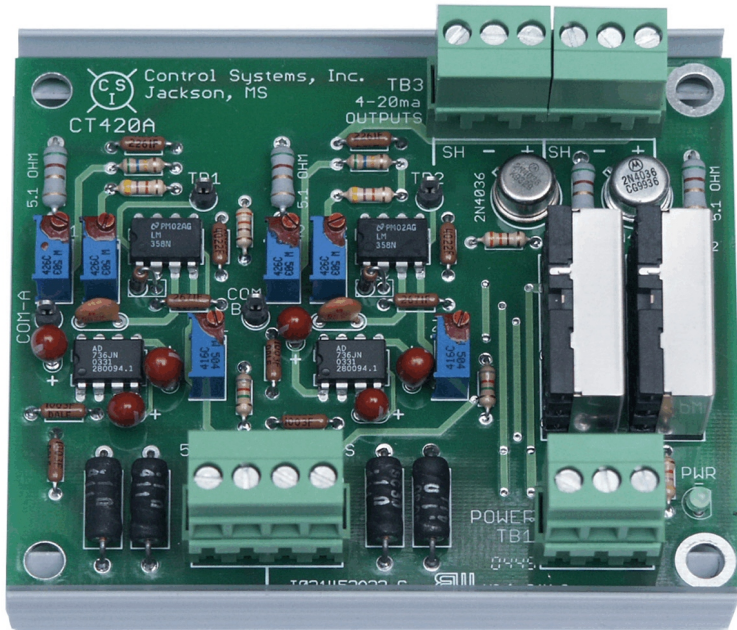




Control Systems, Inc.

PRODUCT DATA BULLETIN

CT420A
DUAL CT TO
4-20ma OUT
CONVERTER



STANDARD FEATURES

- DUAL 5-AMP CT INPUTS
- TRUE RMS CONVERSION
- TWO ISOLATED OUTPUTS (4-20ma)
- POWER-ON STATUS LED
- QUICK-DISCONNECT TERMINALS
- SNAPTRACK OR BACKPLATE MOUNTING
- SIZE: 3.2" X 3.9"
- +12VDC POWER REQUIRED

DESCRIPTION

The CT420A dual 5-amp Current Transformer input to dual 4-20ma current output converter contains two independent circuits to provide an RTU, Logic Controller or other device with standard 4-20ma current outputs for measuring motor amperage from standard 5-amp current transformers. Each output has its own power supply and is isolated from the other output. The unit offers true RMS conversion for the most accuracy. Quick-Disconnect terminals are provided for ease of testing. The unit is powered by +12vdc and can be either SnapTrack or backplate mounted.

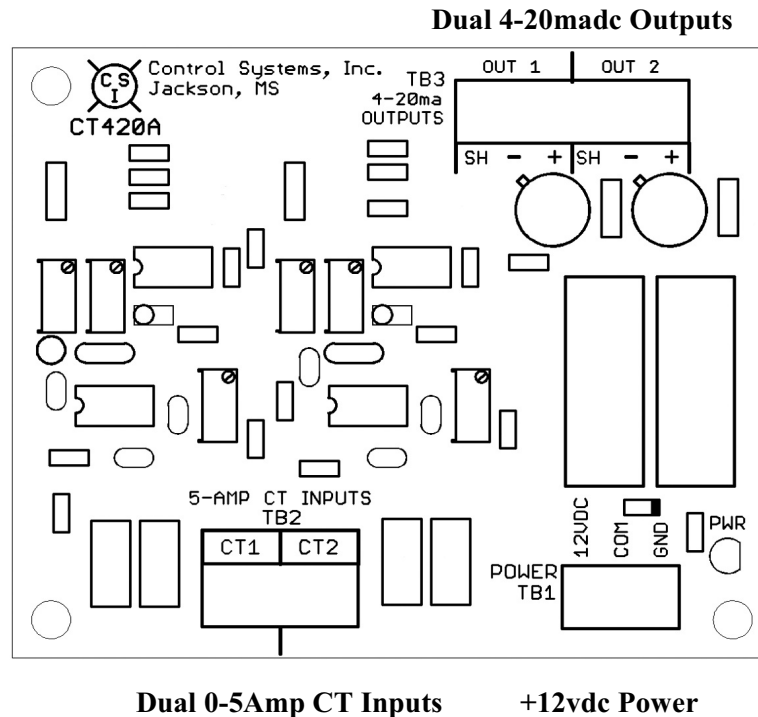
SUGGESTED SPECIFICATIONS

Provide a dual Current Transformer (CT) converter for measuring the motor amperage from standard 5-amp CT's. The converter shall include dual, isolated 4-20ma outputs. The circuitry shall include true RMS conversion for the most accuracy. Each 4-20ma output shall be powered from individual, isolated power supplies and shall be capable of driving 500 ohms impedance loads. The converter shall be SnapTrack mounted and be powered by an external +12vdc power supply. Provide quick-disconnect connectors with capture-type terminals. Spring-clip type terminals will not be accepted.

OPERATING SPECIFICATIONS

- EXT. POWER SUPPLY REQUIREMENT: +12VDC @ 120 ma
- CURRENT TRANSFORMER (CT) INPUTS: 0-5 AMPS AC
- OUTPUT CURRENT: dual, isolated 4-20mADC (max. of 500 ohm load each)
- DIMENSIONS: 3.2" high x 3.9" wide
- HUMIDITY: 5-95% NON-CONDENSING

CT420A
DUAL CT TO
4-20ma OUT
CONVERTER



ORDERING INFORMATION:

MODEL NUMBER: CT420A

WARRANTY: Control Systems, Inc. (CSI) warrants equipment of its own manufacture to be free from defects in material and workmanship, under normal conditions of use and service, and will replace any component found to be defective on its return to CSI, transportation charges prepaid, within one year of its original purchase. CSI will extend the same warranty protection on accessories which is extended to CSI by the original manufacturer. CSI also assumes no liability, express or implied, beyond its obligation to replace any component involved. Such warranty is in lieu of all other warranties express or implied.



CONTROL SYSTEMS, INC.
P.O. Box 4852, Jackson, MS 39296-4852
Telephone: (601) 355-8594
FAX: (601) 355-8774

Document Revision: B